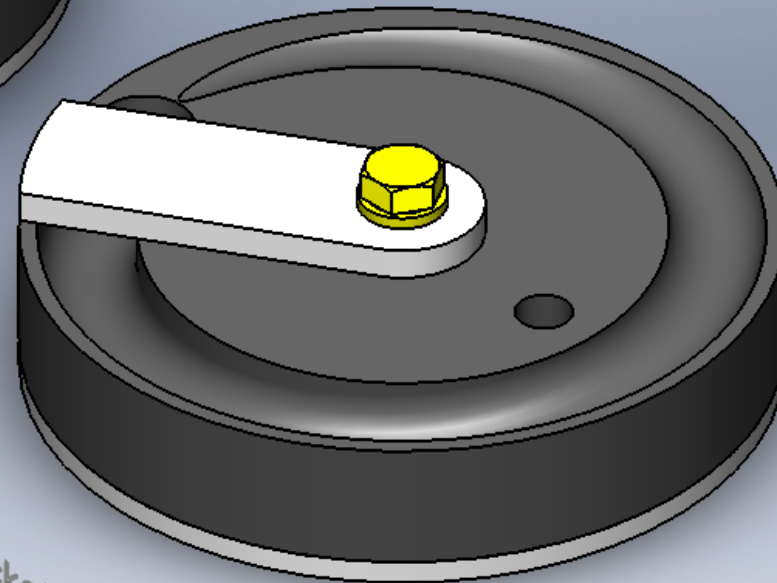


ITEM NO.	PART NUMBER	DESCRIPTION	QTY.
1	15109	3/8"-16x1-1/2" Grade 8 Hex Cap Screw	2
2	33893	3/8" Yellow Zinc Finish High Alloy Medium Split Lock Washer	2
3	37984	3/8"-16 Hex Weld Nut High Pilot	2
4	RAB04	Axle Spring Pad	2
5	XJRCC05	Poly Lower Spring Perch	2
6	XJRCC07	Lower Spring Retainer	2



.1100100 TJ/LJ/XJ/ZJ Lower Poly Coil Bucket
5.1 lbs