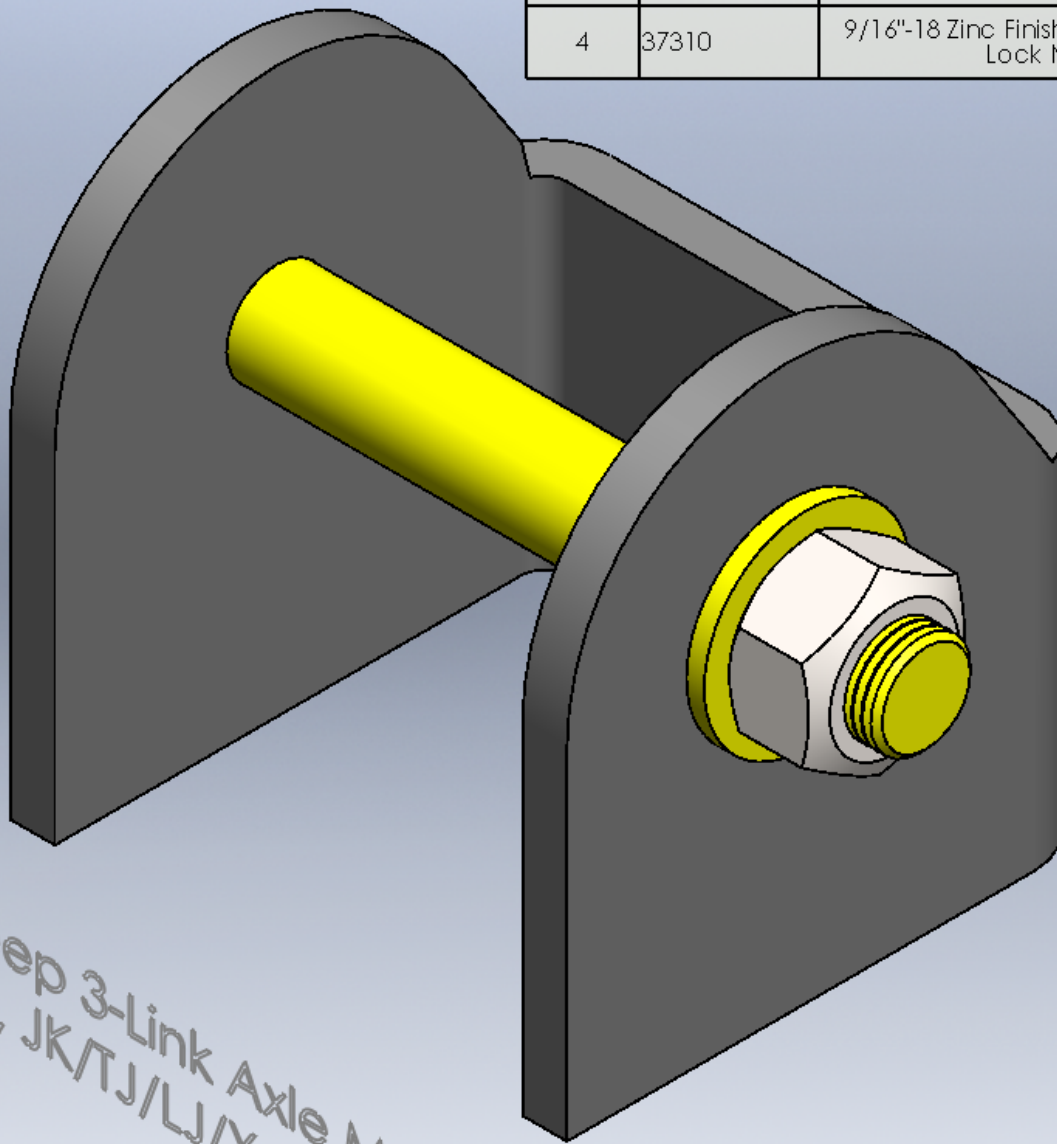


ITEM NO.	PART NUMBER	DESCRIPTION	QTY.
1	TJ3LINK03B	3-Link Mount	1
2	18951	9/16"-18 x 4" Yellow Zinc Finish SAE J429 Grade 8 Hex Cap Screw	1
3	33818	9/16" Yellow Zinc Finish SAE Thru-Hardened Flat Washer	2
4	37310	9/16"-18 Zinc Finish Grade C Top Lock Nut	1



.1130110 Jeep 3-Link Axle Mount
(1984-2017, JK/TJ/LJ/XJ/ZJ)
1.89 lbs