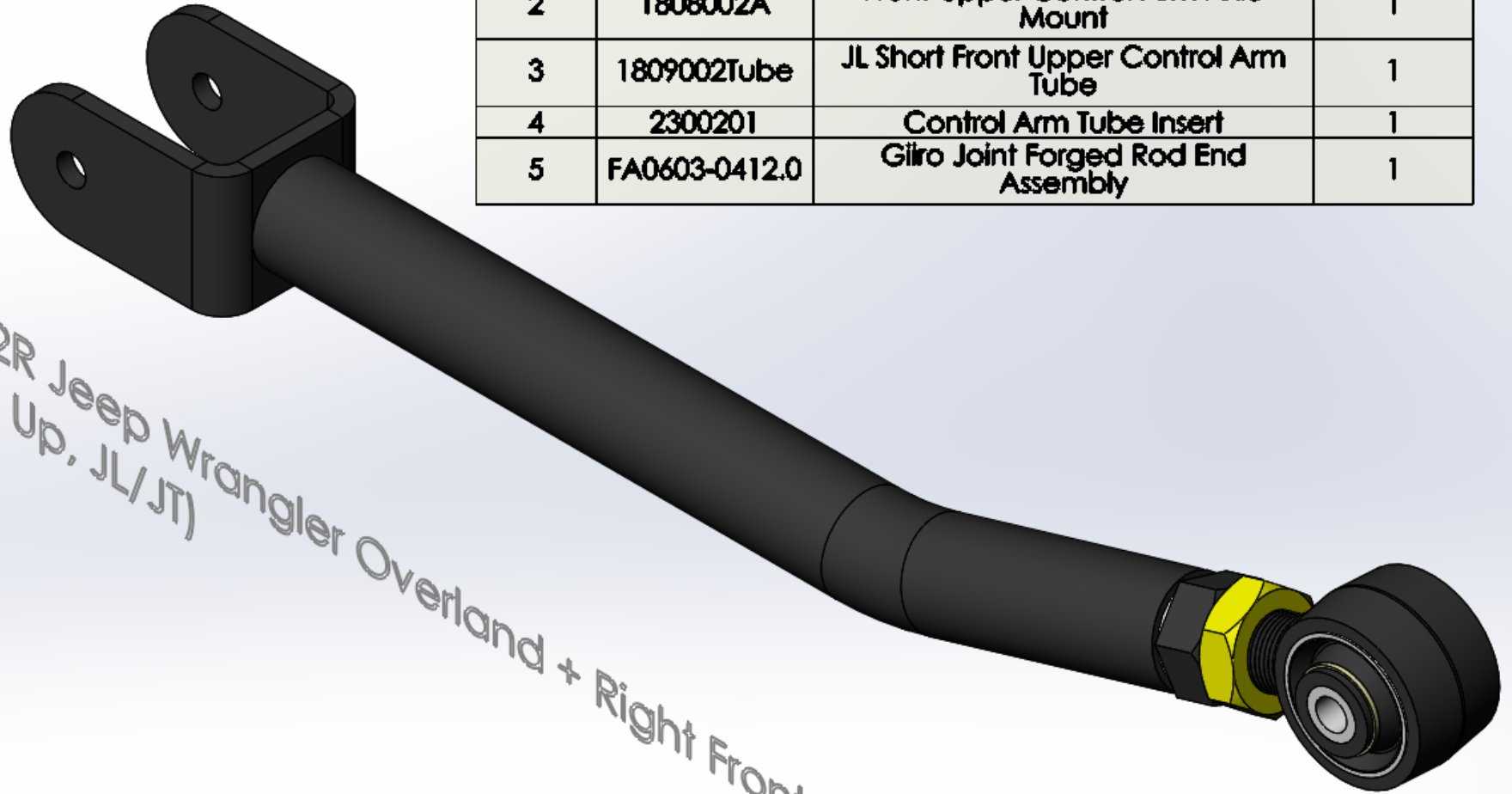


ITEM NO.	PART NUMBER	DESCRIPTION	Stock/QTY.
1	0169578	1"-14 ASTM J995 Grade 5 Yellow Zinc Finish Steel Jam Nut	1
2	1808002A	Front Upper Control Arm Axle Mount	1
3	1809002Tube	JL Short Front Upper Control Arm Tube	1
4	2300201	Control Arm Tube Insert	1
5	FA0603-0412.0	Giro Joint Forged Rod End Assembly	1



.1709002R Jeep Wrangler Overland + Right Front Upper Control Arm
 (2018 & Up, JL/JT)
 6.3 lbs