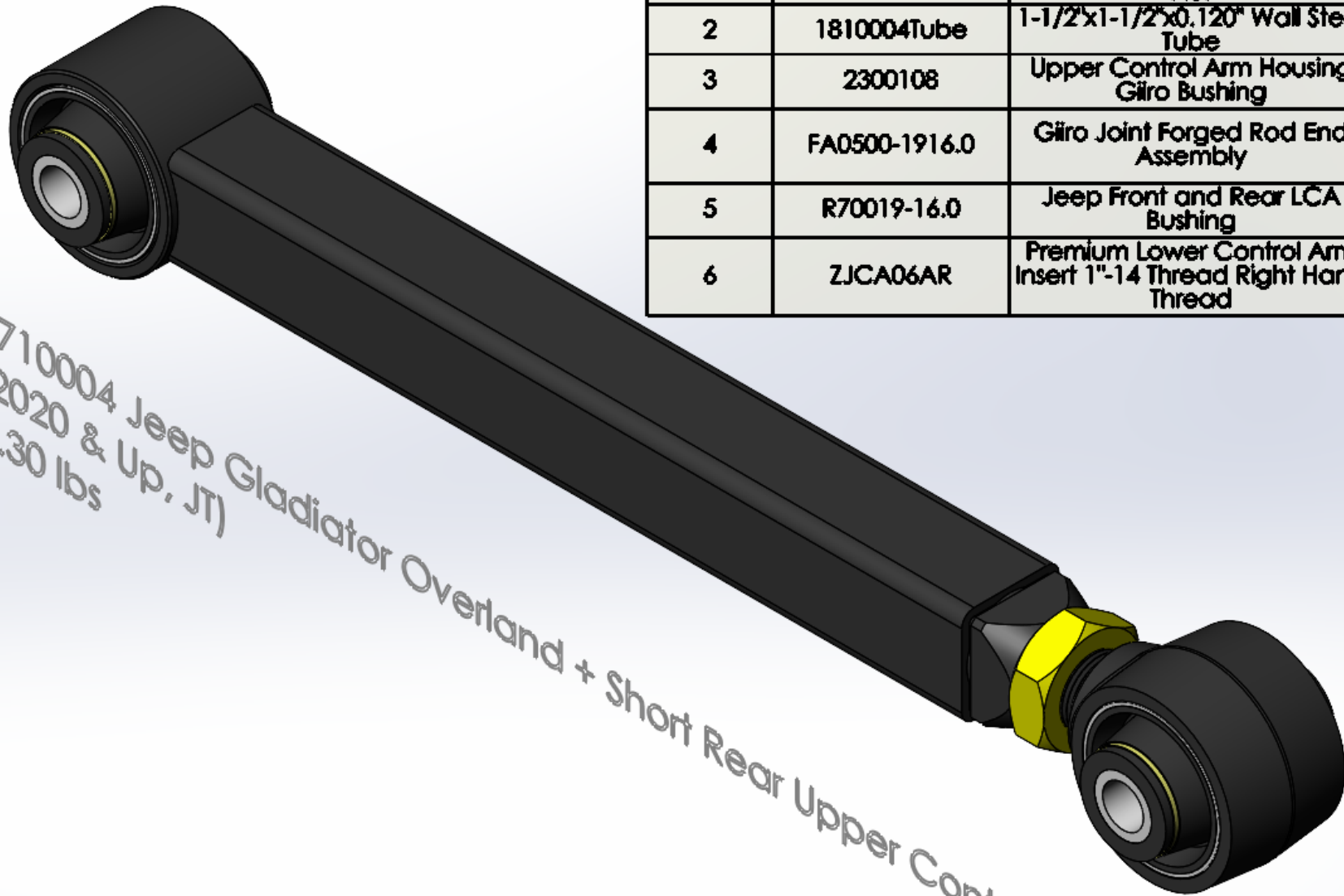


ITEM NO.	PART NUMBER	DESCRIPTION	Stock/QTY.
1	0169578	1"-14 ASTM J995 Grade 5 Yellow Zinc Finish Steel Jam Nut	1
2	1810004Tube	1-1/2"x1-1/2"x0.120" Wall Steel Tube	1
3	2300108	Upper Control Arm Housing Giro Bushing	1
4	FA0500-1916.0	Giro Joint Forged Rod End Assembly	1
5	R70019-16.0	Jeep Front and Rear LCA Bushing	1
6	ZJCA06AR	Premium Lower Control Arm Insert 1"-14 Thread Right Hand Thread	1



.1710004 Jeep Gladiator Overland + Short Rear Upper Control Arm
 (2020 & Up, JT)
 6.30 lbs