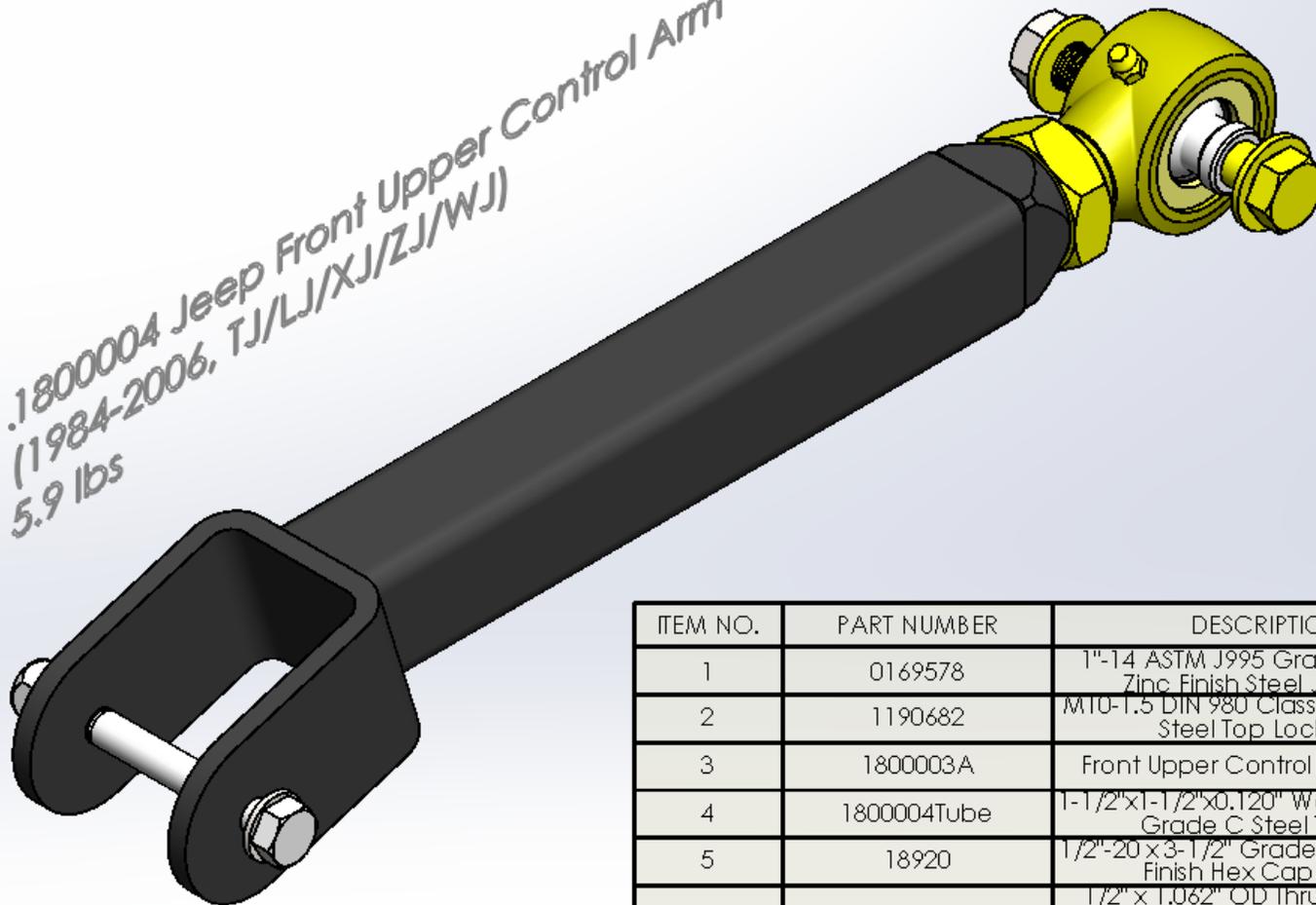


.1800004 Jeep Front Upper Control Arm - Angled
 (1984-2006, TJ/LJ/XJ/ZJ/WJ)
 5.9 lbs



ITEM NO.	PART NUMBER	DESCRIPTION	Default/QTY.
1	0169578	1"-14 ASTM J995 Grade 5 Yellow Zinc Finish Steel Jam Nut	1
2	1190682	M10-1.5 DIN 980 Class 10 Zinc Finish Steel Top Lock Nut	1
3	1800003A	Front Upper Control Axle Mount	1
4	1800004Tube	1-1/2"x1-1/2"x0.120" Wall ASTM A500 Grade C Steel Tubing	1
5	18920	1/2"-20 x 3-1/2" Grade 8 Yellow Zinc Finish Hex Cap Screw	1
6	33817	1/2" x 1.062" OD Thru-Hardened Yellow Zinc Finish Steel SAE General Purpose Flat Washer	2
7	37308	1/2"-20 Grade C Zinc Finish Steel Top Lock Nut	1
8	38666	M10-1.5 x 80mm DIN 931 Class 8.8 Zinc Cap Screw	1
9	40358	M10 DIN 125 Zinc Flat Washer	2
10	CE-9112NC-12	NARROW 2" FORGED JOHNNY JOINT@ W/ 5" OF 1" RH THREAD & 1/2" X 2" BALL	1
11	ZJCA06AR	Premium Lower Control Arm Insert 1"-14 Thread Right Hand Thread	1