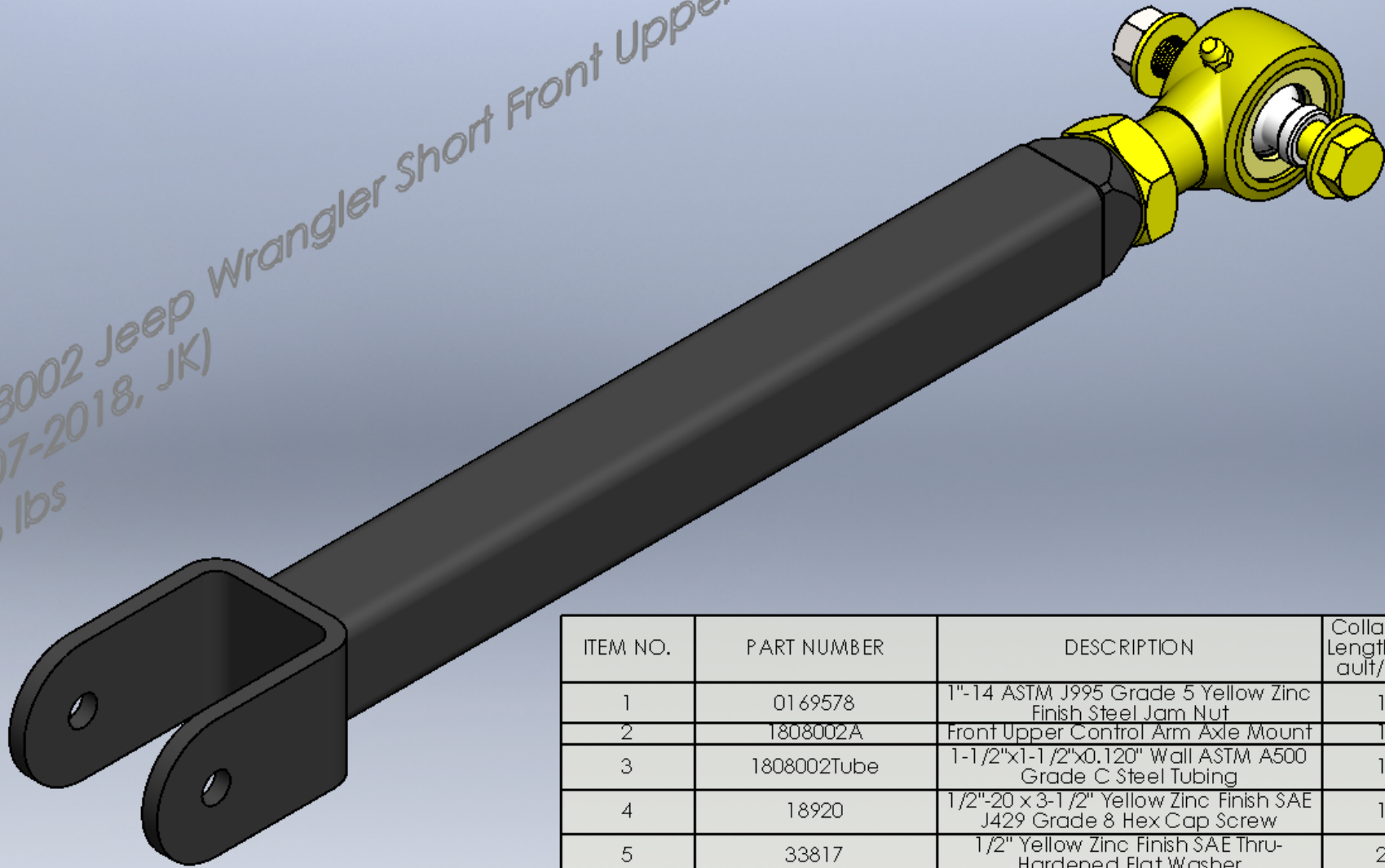


.1808002 Jeep Wrangler Short Front Upper Control Arm
 (2007-2018, JK)
 6.06 lbs



ITEM NO.	PART NUMBER	DESCRIPTION	Collapsed Length/Default/QTY.
1	0169578	1"-14 ASTM J995 Grade 5 Yellow Zinc Finish Steel Jam Nut	1
2	1808002A	Front Upper Control Arm Axle Mount	1
3	1808002Tube	1-1/2"x1-1/2"x0.120" Wall ASTM A500 Grade C Steel Tubing	1
4	18920	1/2"-20 x 3-1/2" Yellow Zinc Finish SAE J429 Grade 8 Hex Cap Screw	1
5	33817	1/2" Yellow Zinc Finish SAE Thru-Hardened Flat Washer	2
6	37308	1/2"-20 Zinc Finish Grade C Top Lock Nut	1
7	CE-9112NC-12	NARROW 2" FORGED JOHNNY JOINT® W/ 5" OF 1" RH THREAD & 1/2" X 2" BALL	1
8	ZJCA06AR	Premium Lower Control Arm Insert 1"-14 Thread Right Hand Thread	1