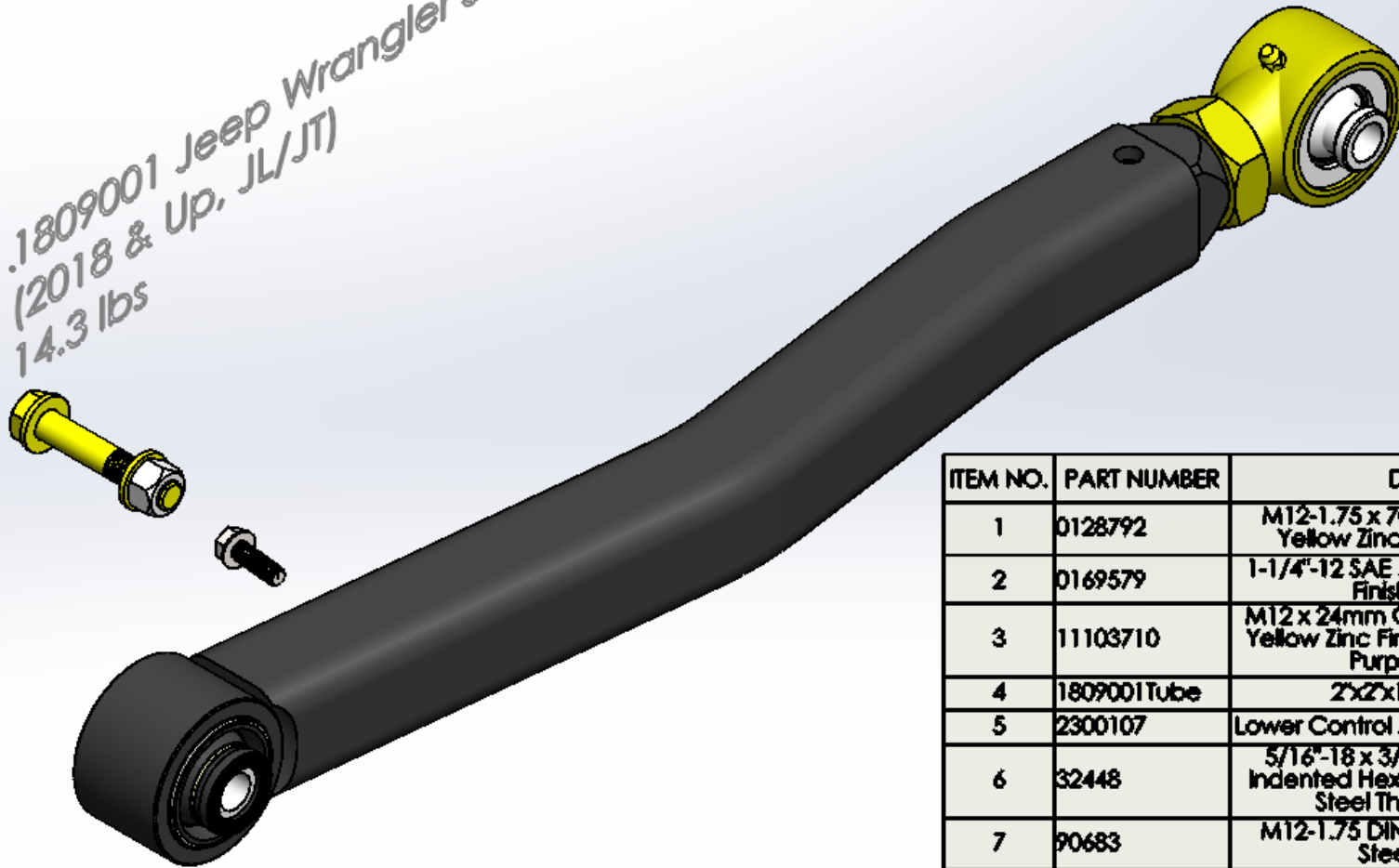


.1809001 Jeep Wrangler Short Front Lower Control Arm
 (2018 & Up, JL/JT)
 14.3 lbs



ITEM NO.	PART NUMBER	DESCRIPTION	Stock/Default 1/QTY.
1	0128792	M12-1.75 x 70mm DIN 931 Class 10.9 Yellow Zinc Finish Hex Cap Screw	1
2	0169579	1-1/4"-12 SAE J995 Grade 5 Yellow Zinc Finish Steel Jam Nut	1
3	11103710	M12 x 24mm OD DIN 125 Grade HV200 Yellow Zinc Finish Steel Type A General Purpose Flat Washer	2
4	1809001Tube	2"x2"x1/4" Wall Sq. Tube	1
5	2300107	Lower Control Arm Housing Giro Bushing	1
6	32448	5/16"-18 x 3/4" Hex - Unslotted Drive Indented Hex Washer Head Zinc Finish Steel Thread Rolling Screw	1
7	90683	M12-1.75 DIN 980 Class 10 Zinc Finish Steel Top Lock Nut	1
8	CE-9114N-28	NARROW 2 1/2" FORGED JOHNNY JOINT® W/ 1" 1/4"-12 RH THREADED STUD 16mm Center Ball	1
9	R70096-W16.0	Jeep Front LCA Bushing (2018 & Up, JL/JT)	1
10	ZJCA05A	Premium Lower Control Arm Insert 1 1/4"-12 Thread Right Hand Thread	1