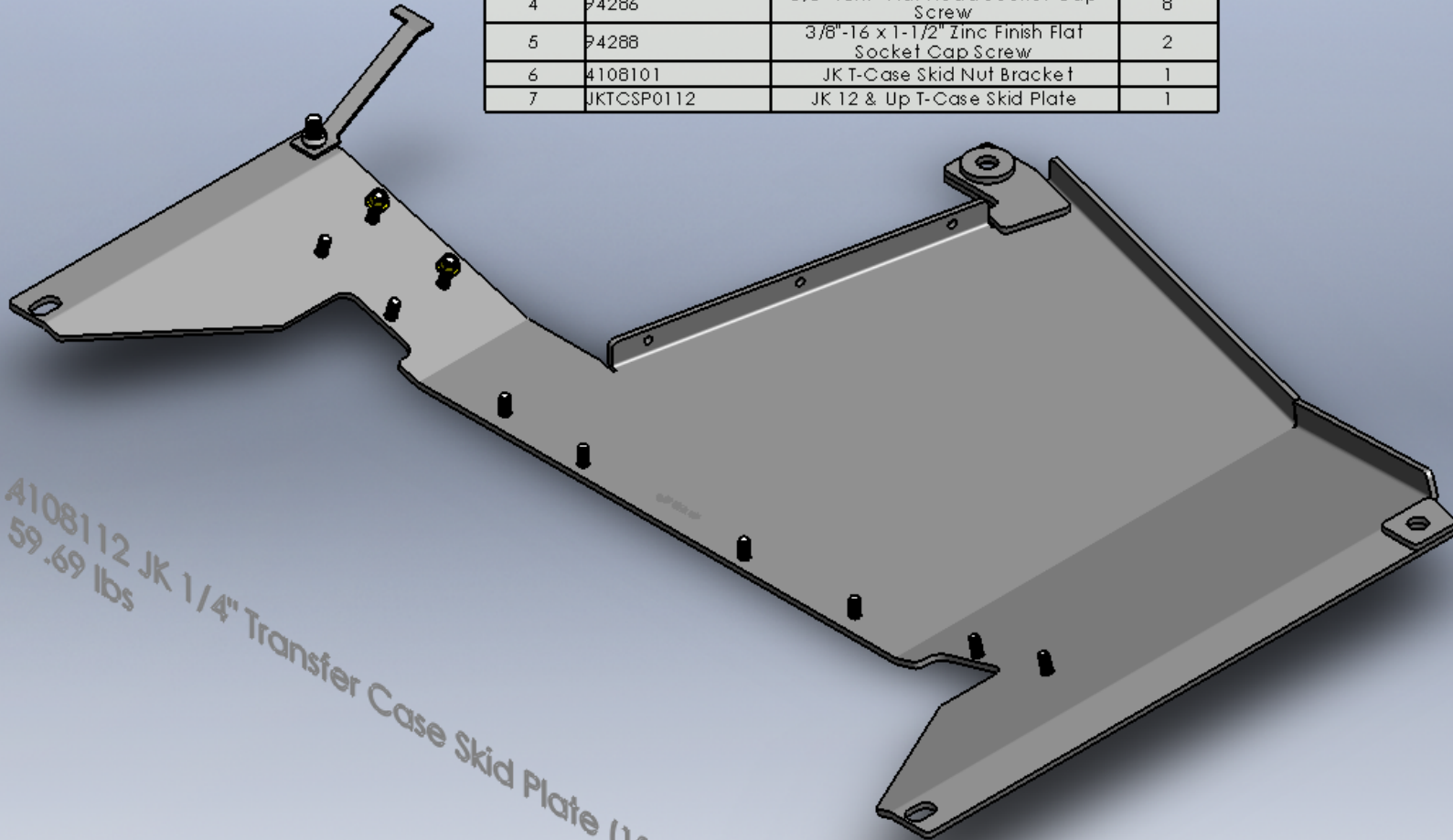


ITEM NO.	PART NUMBER	DESCRIPTION	QTY.
1	19959	1/2-13 x 1-1/2 Case Hardened Zinc Flange Bolt	1
2	33815	3/8" Yellow Zinc Finish SAE Thru-Hardened Flat Washer	2
3	37185	3/8"-16 Yellow Zinc Finish NE Grade 8 Nylon Insert Lock Nut	2
4	74286	3/8"-16x1" Flat Head Socket Cap Screw	8
5	74288	3/8"-16 x 1-1/2" Zinc Finish Flat Socket Cap Screw	2
6	4108101	JK T-Case Skid Nut Bracket	1
7	JKTCSP0112	JK 12 & Up T-Case Skid Plate	1



4108112 JK 1/4" Transfer Case Skid Plate (12 & Up)
 59.69 lbs