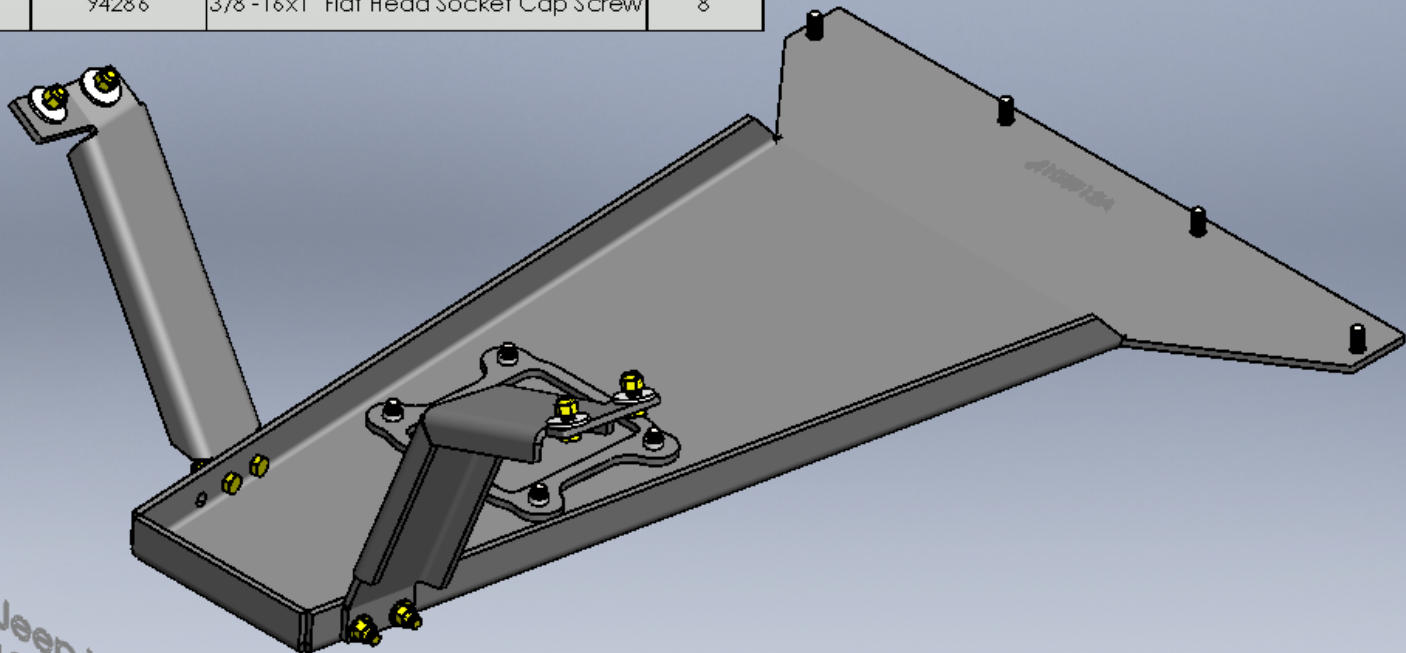


ITEM NO.	PART NUMBER	DESCRIPTION	QTY.
1	11101273	3/8" x 1.250" OD Low Carbon Zinc Finish Steel Thick Fender Washer	4
2	15105	3/8"-16x1" Yellow Zinc Finish SAE J429 Grade 8 Hex Cap Screw	4
3	15107	3/8"-16 x 1-1/4" Grade 8 Yellow Zinc Finish Hex Cap Screw	4
4	33815	3/8" x 0.812" OD Thru-Hardened Yellow Zinc Finish Steel SAE General Purpose Flat Washer	4
5	37185	3/8"-16 Grade 8 Yellow Zinc Finish NE Steel Nylon Insert Lock Nut	8
6	4108900D	JK Engine Skid Plate Left Mount	1
7	4108900E	JK Engine Skid Plate Right Mount	1
8	4108912A	JK 2007-2018 Engine Skid Plate	1
9	4108912F	JK Engine Skid Plate Drain Plate	1
10	94286	3/8"-16x1" Flat Head Socket Cap Screw	8



4108912 Jeep Wrangler Engine Skid Plate  
 (2007-2018, JK)  
 46.77 lbs