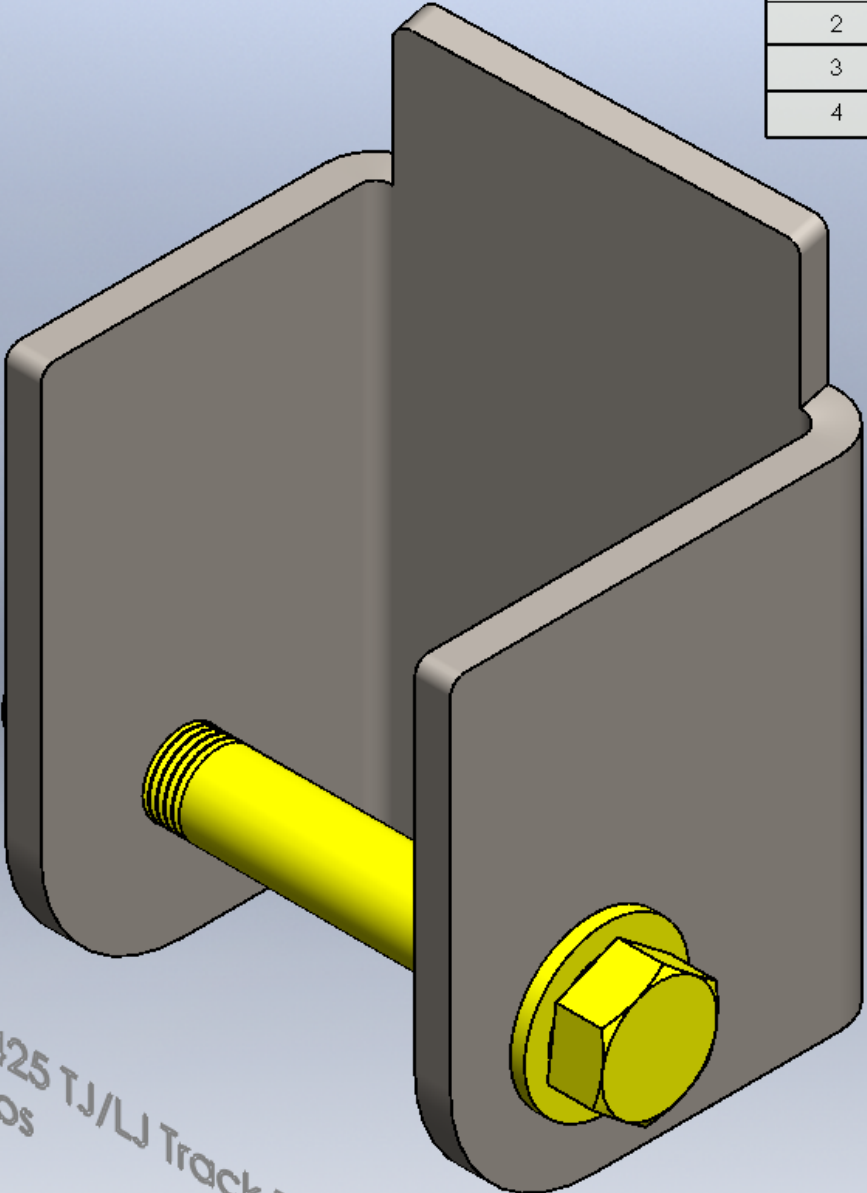


ITEM NO.	PART NUMBER	DESCRIPTION	QTY.
1	18951	9/16"-18 x 4" Yellow Zinc Finish SAE J429 Grade 8 Hex Cap Screw	1
2	33818	9/16" Yellow Zinc Finish SAE Thru-Hardened Flat Washer	2
3	37310	9/16"-18 Zinc Finish Grade C Top Lock Nut	1
4	4500425A	TJ High Steer Track Bar Frame Mount	1



4500425 TJ/LJ Track Bar Bracket
2.69 lbs