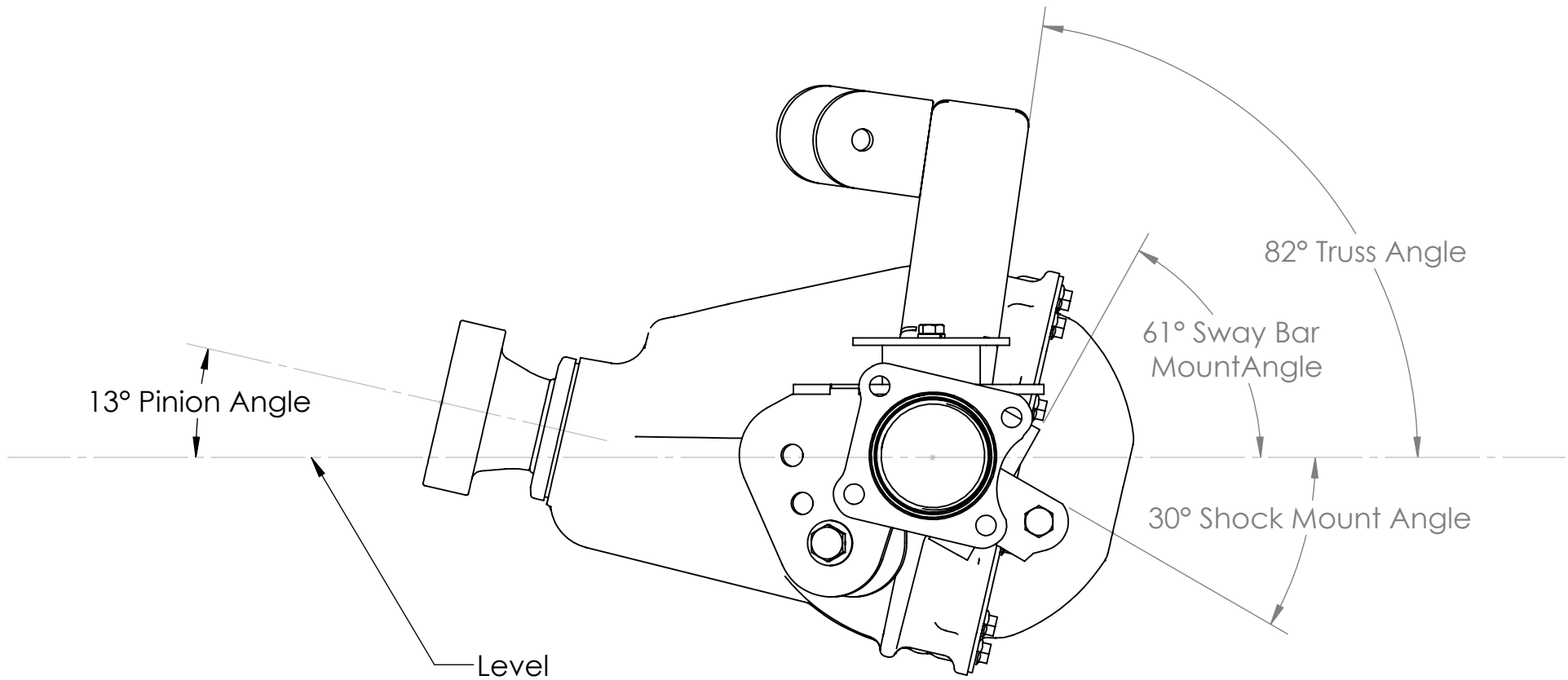
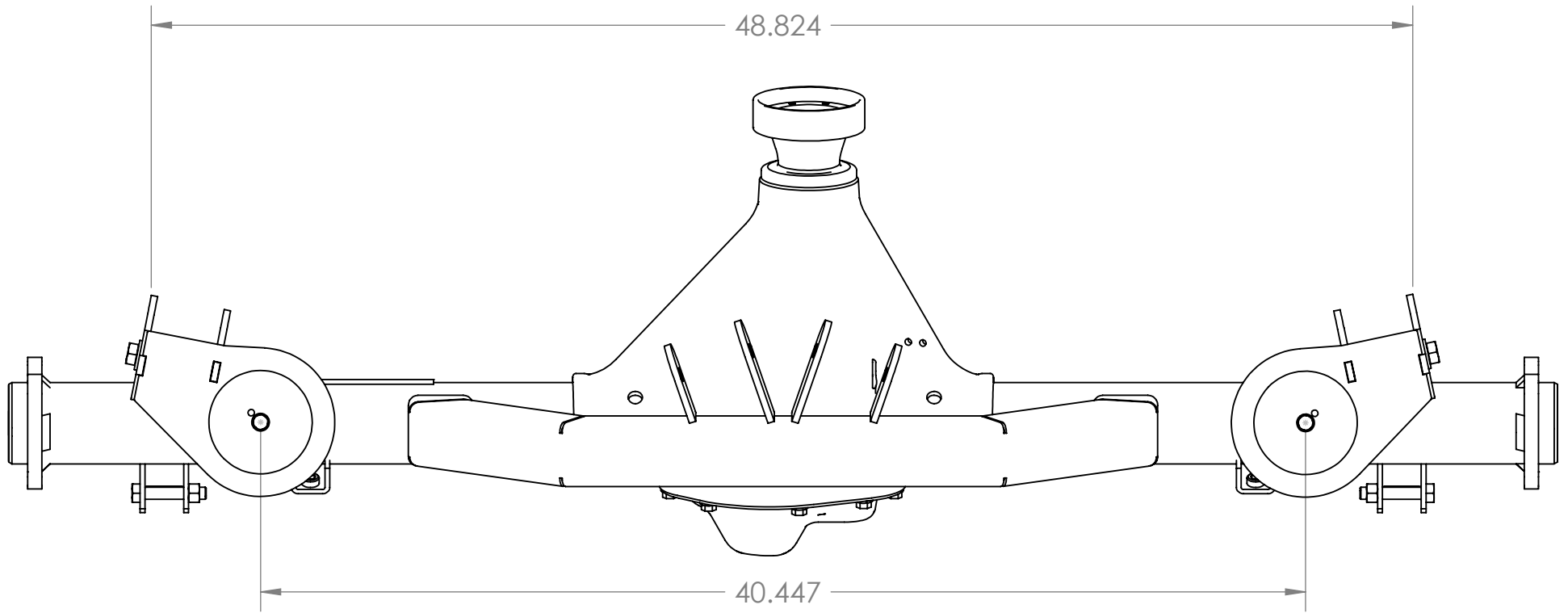


Factory pinion angle is 3 degrees.
These angles are intended for 4.5" to 6.0" of lift with a CV style drive shaft..
Transfer Case, drive shaft configurations and lift height need t be considered.
Rear upper arms will need to be shorted for this kit.
Please be sure to order 2 new tube inserts.

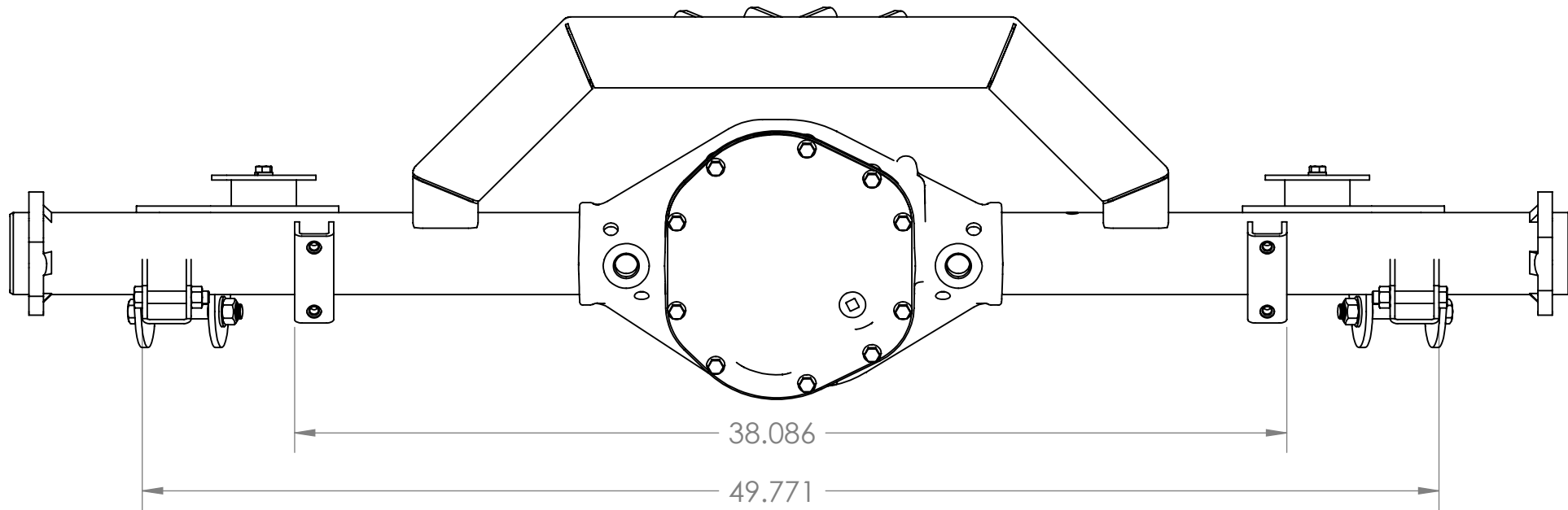
TITLE:		
WJ Rear Axle Bracket Kit (3.00" Tube)		
SIZE	DWG. NO.	REV
A	1206130 Assembly Drawing	A
SCALE: 1:6	WEIGHT:	SHEET 1 OF 4



TITLE:		
WJ Rear Axle Bracket Kit (3.00" Tube)		
SIZE	DWG. NO.	REV
A	1206130 Assembly Drawing	A
SCALE: 1:4	MTL:	SHEET 2 OF 4



TITLE:		
WJ Rear Axle Bracket Kit (3.00" Tube)		
SIZE	DWG. NO.	REV
A	1206130 Assembly Drawing	A
SCALE: 1:6	MTL:	SHEET 3 OF 4



TITLE:

WJ Rear Axle Bracket Kit
(3.00" Tube)

SIZE	DWG. NO.	REV
A	1206130 Assembly Drawing	A

SCALE: 1:6 MTL:

SHEET 4 OF 4