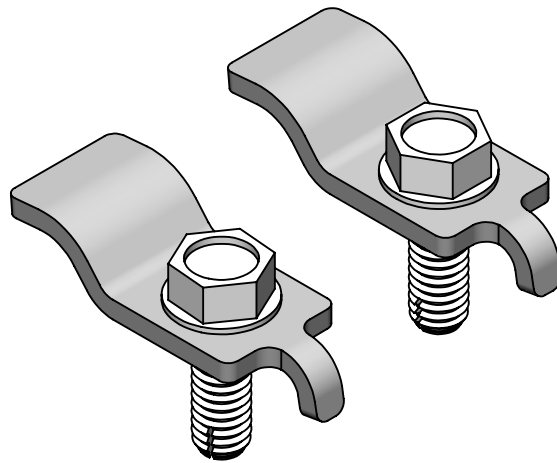


**CLAYTON OFF ROAD
COR-1100108
JEEP STAINLESS STEEL FRONT SPRING RETAINERS (1984-2006, TJ/LJ/XJ/ZJ)**



NOTES: This product may require general welding, fabrication and automotive mechanic skills. Welding should only be done by a competent welder. Clayton Off Road implies no guarantees or warranties and is not liable for improper installation. Some grinding and fitment may be required when installing this product. Every vehicle varies slightly and some fabrication may be required. For more information please visit our website.

Refer to picture below.

Step 1: Remove enough weight from the front of the vehicle to create a gap in the bottom two coils of the spring.

Step 2: Remove old spring retainers if installed.

Step 3: Install spring retainers over bottom coil of spring.

Step 4: Make sure alignment tang is aligned with hole in spring perch.

Step 5: Install 5/16" self tapping screw into spring perch. (Be sure not to strip)

