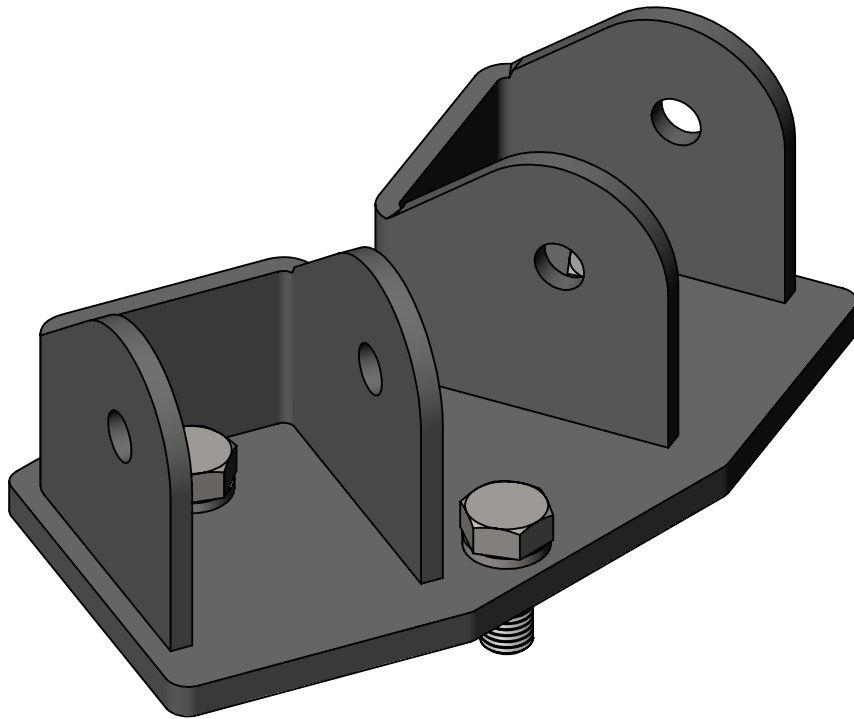


**CLAYTON OFF ROAD  
COR-1206100  
JEEP GRAND CHEROKEE REAR 4-LINK BRACKET (1999-2004 WJ)**



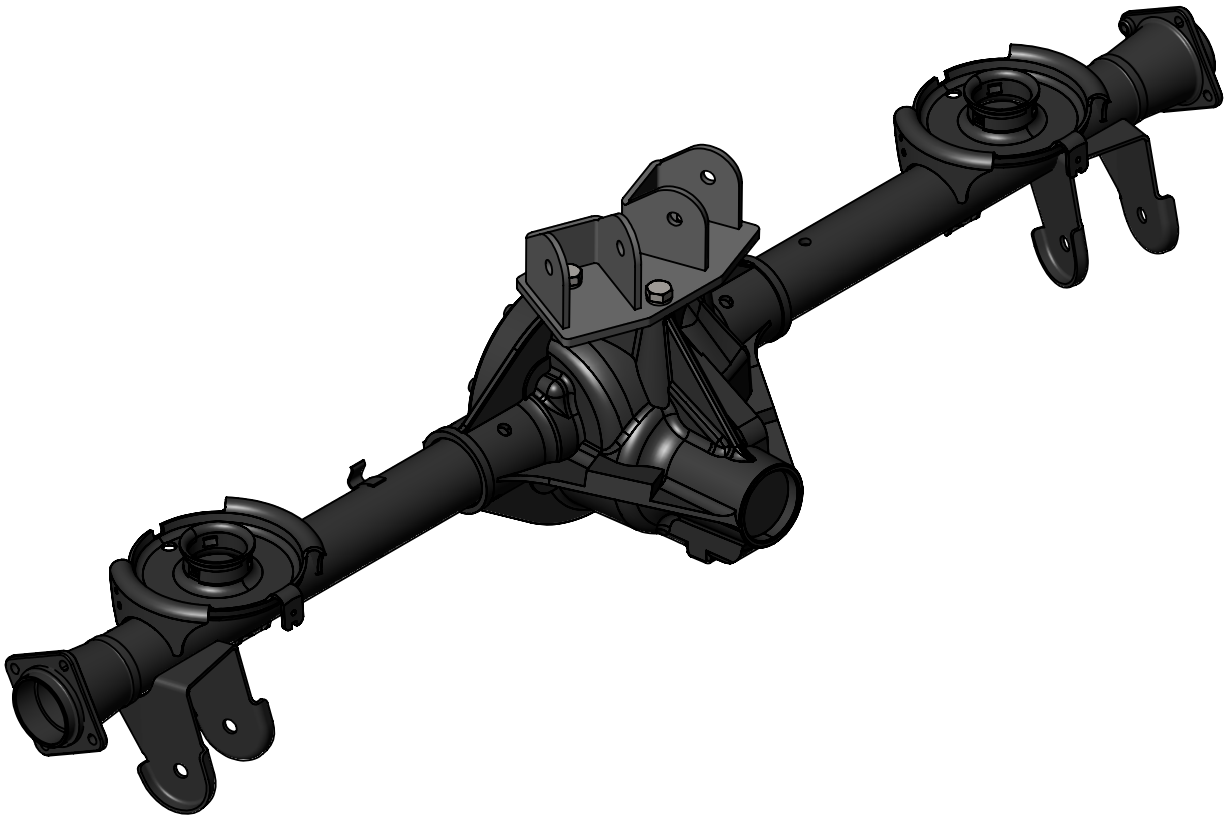
NOTES: This product may require general welding, fabrication and automotive mechanic skills. Welding should only be done by a competent welder. Clayton Off Road implies no guarantees or warranties and is not liable for improper installation. Some grinding and fitment may be required when installing this product. Every vehicle varies slightly and some fabrication may be required. For more information please visit our website.

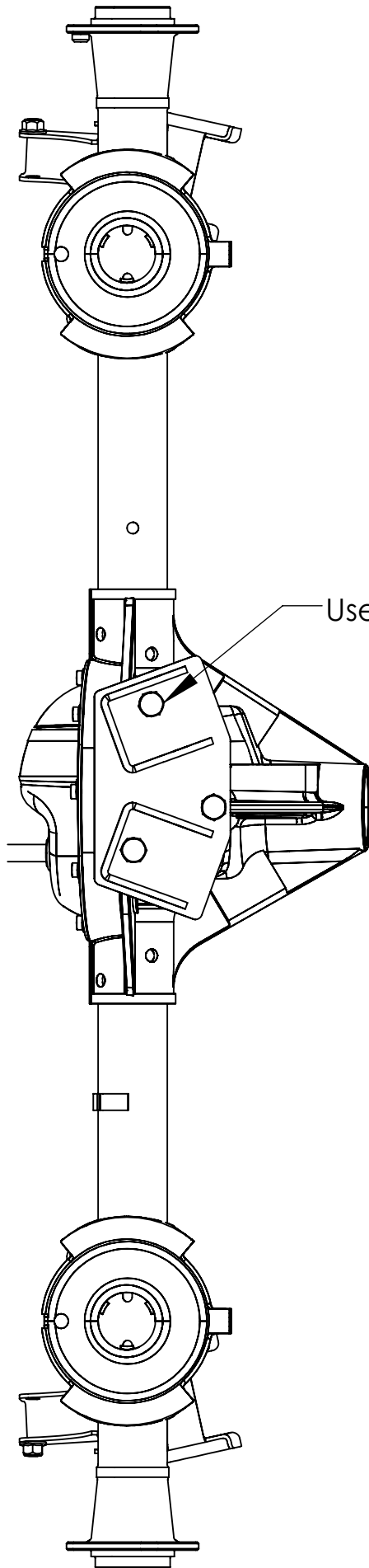
Refer to picture below and drawing view.

Step 1: Remove upper rear control arm.

Step 2: Remove upper rear arm ball joint.

Step 3: Install rear 4 link bracket using new hardware.





Use new hardware supplied