

Clayton Off Road
COR-1809100
Jeep Wrangler Short Front Lower Control Arms (2018 & Up, JL/JT)



NOTES: This product may require general welding, fabrication and automotive mechanic skills. Welding should only be done by a competent welder. Clayton Off Road implies no guarantees or warranties and is not liable for improper installation. Some grinding and fitment may be required when installing this product. Every vehicle varies slightly and some fabrication may be required.

For more information please visit our website.

Refer to pictures below.

Step 1: Remove old control arm on one side.

Step 2: Remove shock bolt.

Step 3: Position axle.

Step 4: Measure length from axle side mount to frame side mount.

Step 5: Adjust control arm to length and run jam nut up to control arm tube insert.

Step 6: Install new control arm with adjustment end on frame.

Step 7: Install control arm bolts and nuts.

Step 8: Torques both bolts to 190 ft-lb.

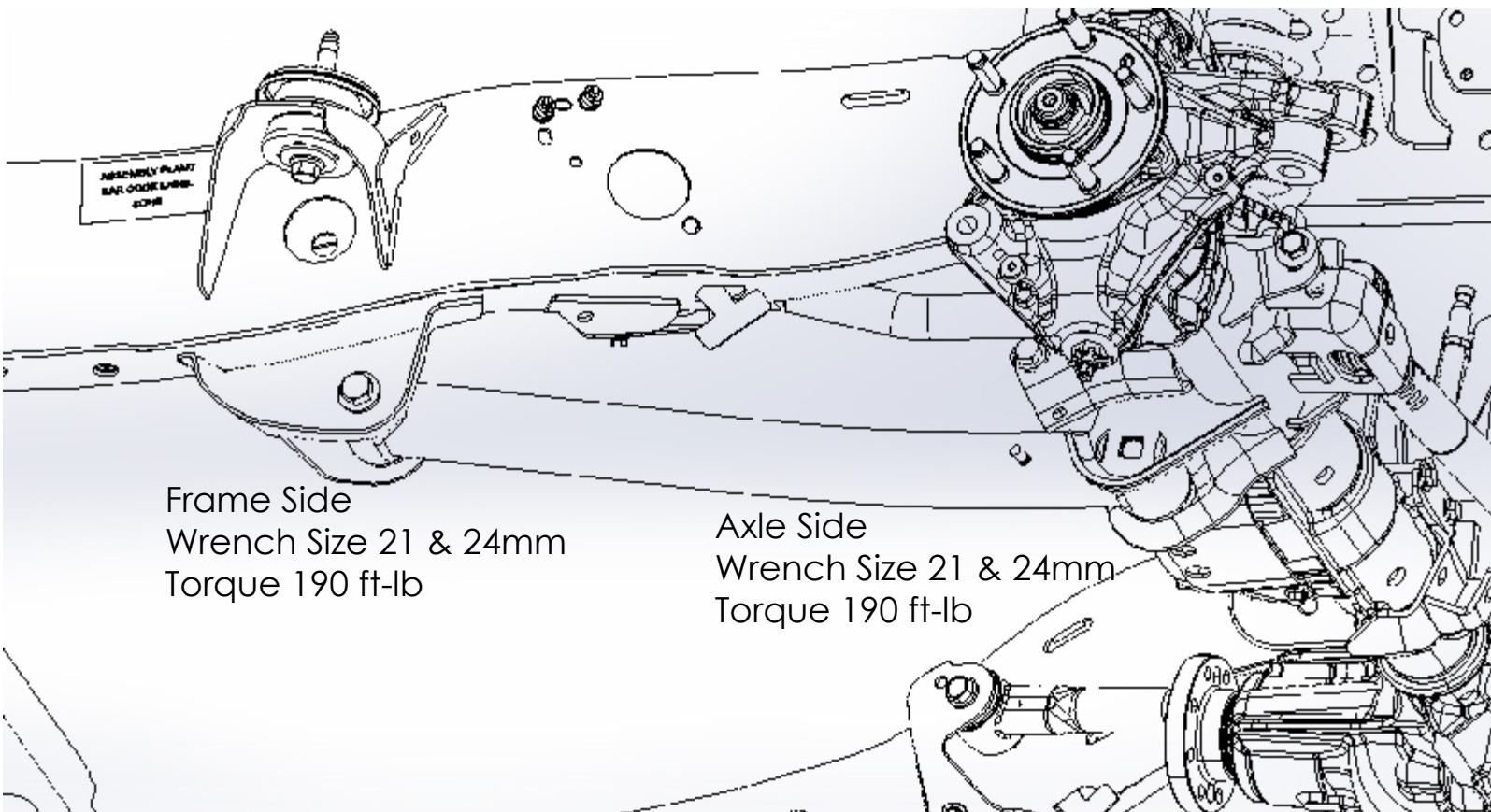
Step 9: Tighten jam nut using a 46mm or 1-13/16" wrench.

Step 10: Make sure Johnny Joint at frame side is centered in bracket.

Step 11: Bolt brake line clip to control arm.

Step 12: Install new shock bolt, nut and washer.

Step 13: Repeat steps 1 to 12 on other side.



Refer to drawing below for minimum and maximum lengths.

