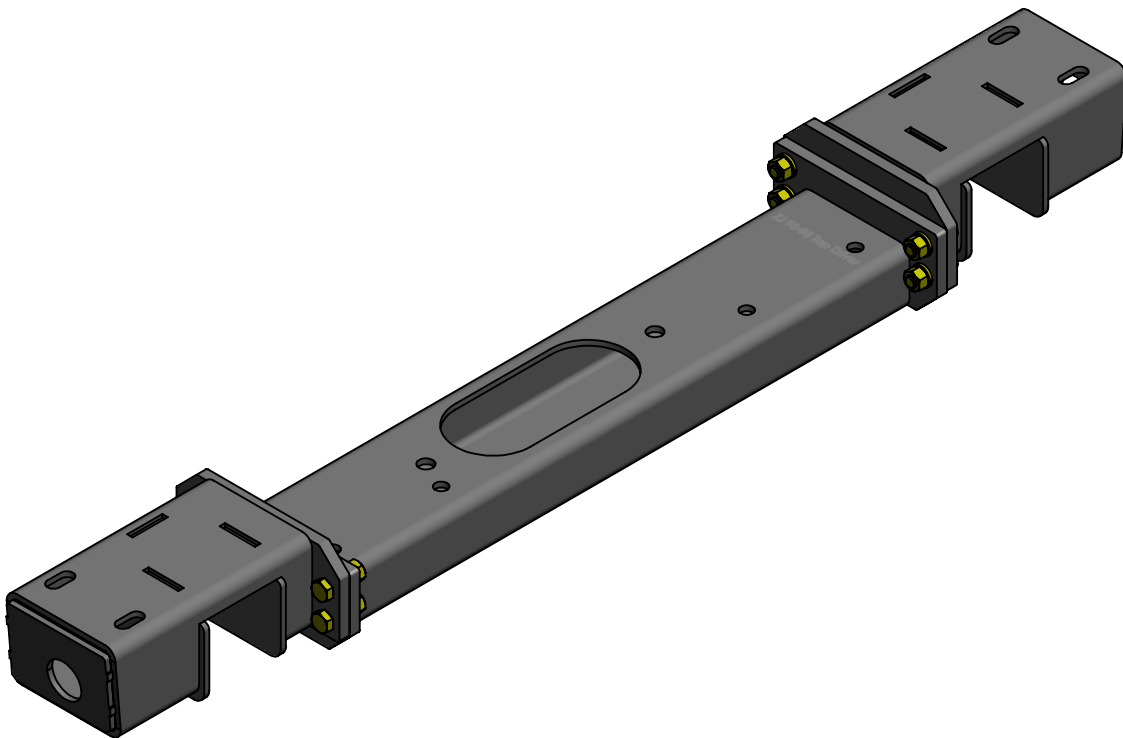


**CLAYTON OFF ROAD
COR-2104310
JEEP GRAND CHEROKEE FRONT 3 PIECE CROSS MEMBER (1993-1995, ZJ)**



NOTES: This product requires general welding, fabrication and automotive mechanic skills. Welding should only be done by a competent welder. Clayton Off Road implies no guarantees or warranties and is not liable for improper installation. Some grinding and fitment may be required when installing this product. Every vehicle varies slightly and some fabrication may be required. For more information please visit our web site.

Refer to drawing views.

Step 1: Assembly cross member as shown.

Step 2: Support vehicle drive line.

Step 3: Remove old cross member.

Step 4: Clean frame for welding.

Step 5: Lightly bolt new cross member into place.

Step 6: Square and center cross member.

Step 7: Tighten bolts.

Step 8 Weld both sides along the front, back & end.

Step 9: Bolt transmission mount in.

Step 10: Weld end caps on with access holes aligned.

Step 11: Paint cross member.

