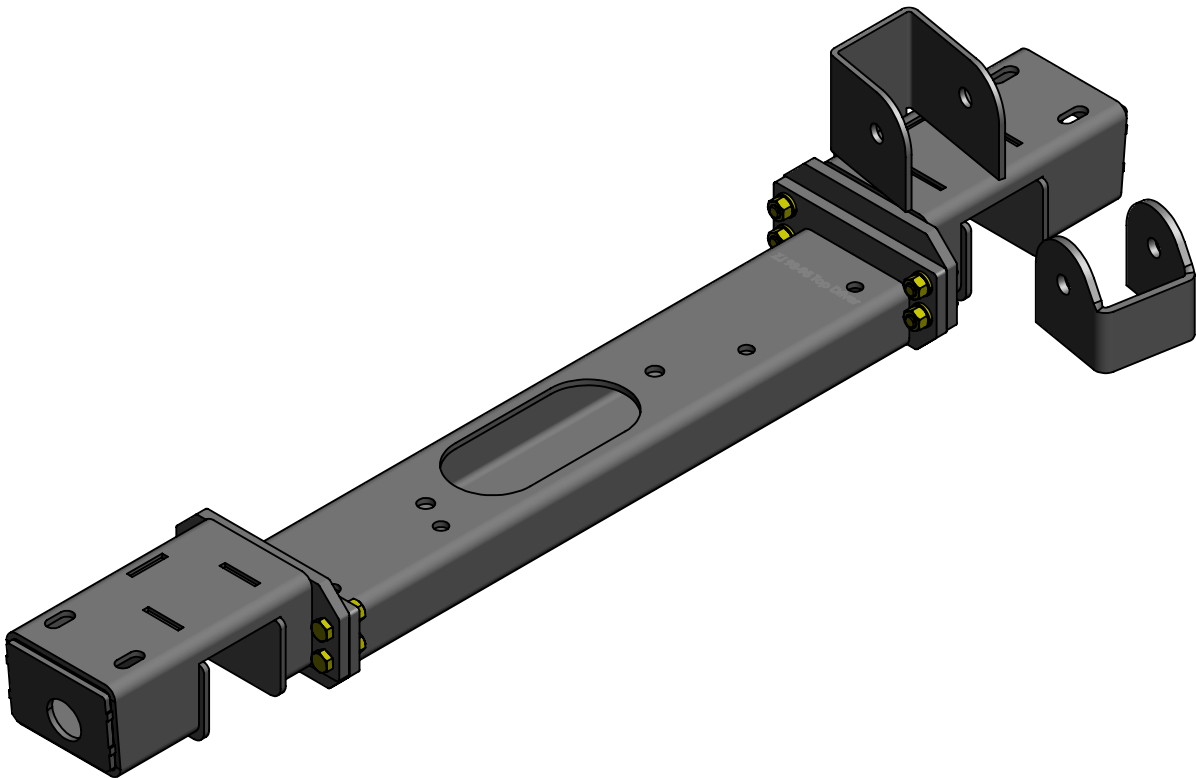


**CLAYTON OFF ROAD
COR-2104313
JEEP GRAND CHEROKEE FRONT 3-LINK 3 PIECE CROSS MEMBER (1993-1995, ZJ)**



NOTES: This product requires general welding, fabrication and automotive mechanic skills. Welding should only be done by a competent welder. Clayton Off Road implies no guarantees or warranties and is not liable for improper installation. Some grinding and fitment may be required when installing this product. Every vehicle varies slightly and some fabrication may be required. For more information please visit our web site.

Refer to drawing views.

Step 1: Assembly cross member as shown.

Step 2: If installing a 3-link system refer to part number 1130300 instructions.

Step 3: Support vehicle drive line.

Step 4: Remove old cross member.

Step 5: Clean frame for welding.

Step 6: Lightly bolt new cross member into place.

Step 7: Square and center cross member.

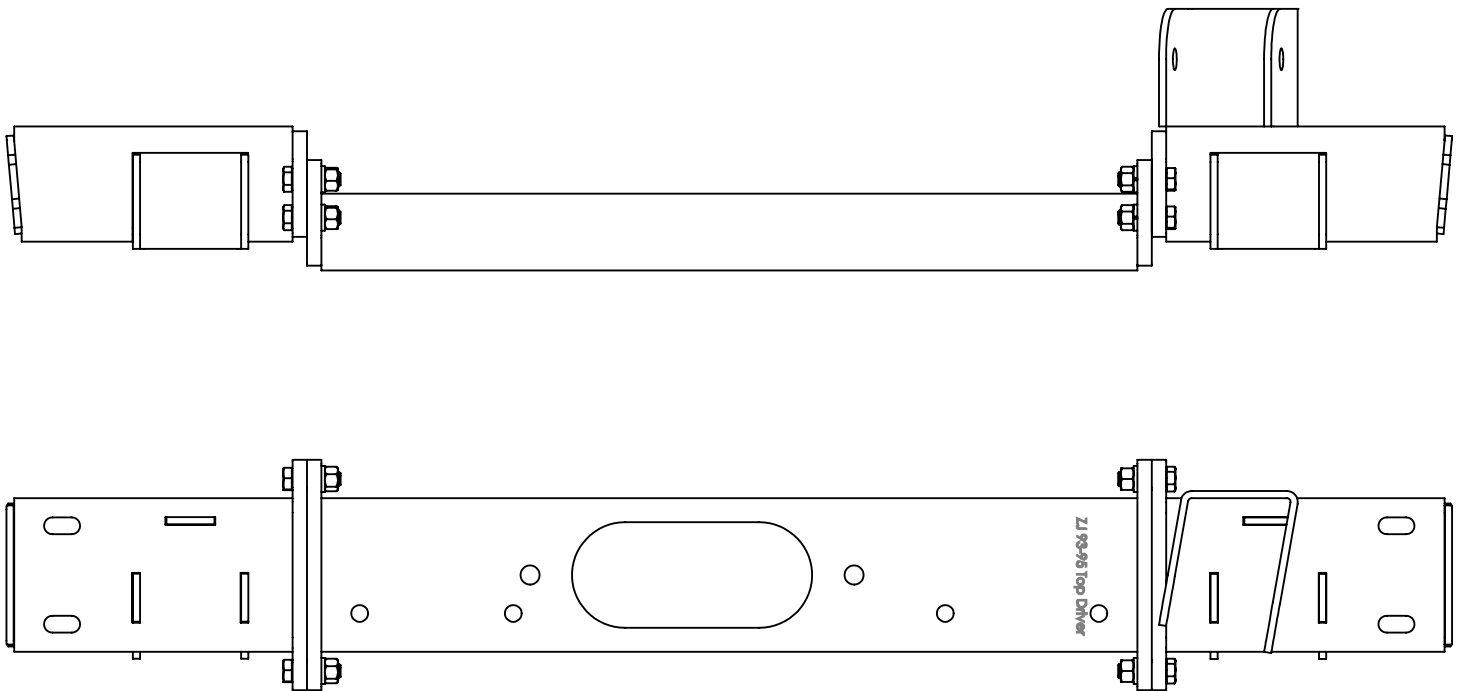
Step 8: Tighten bolts.

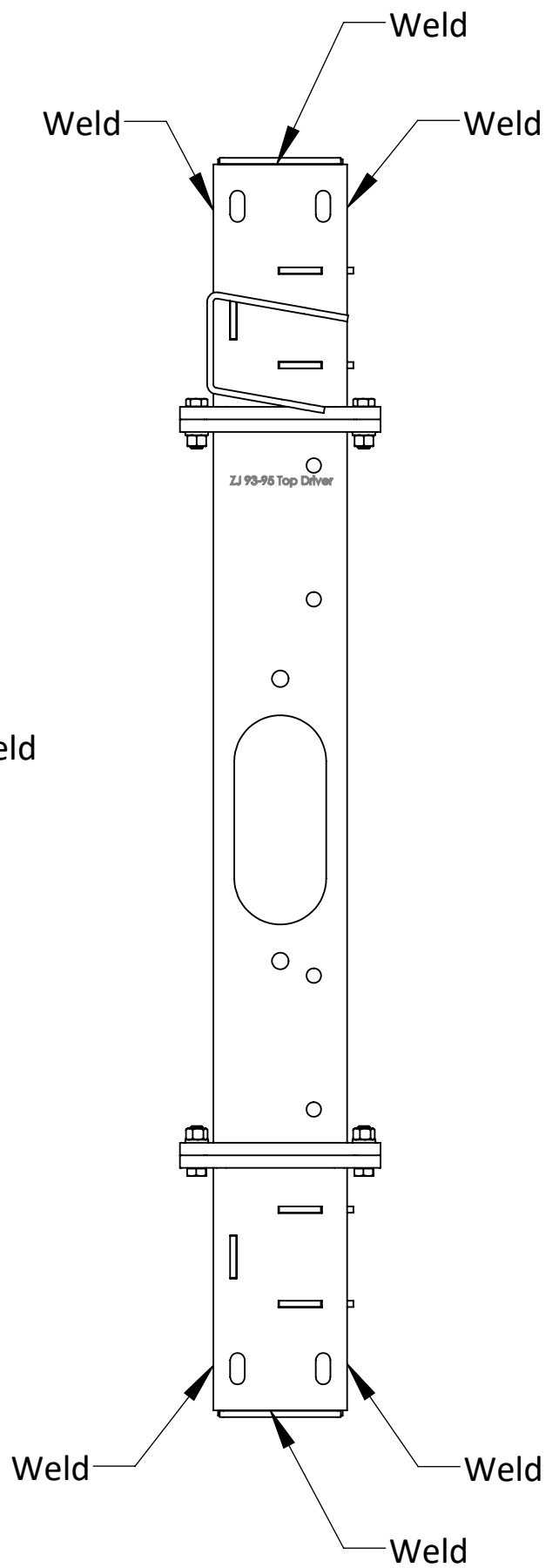
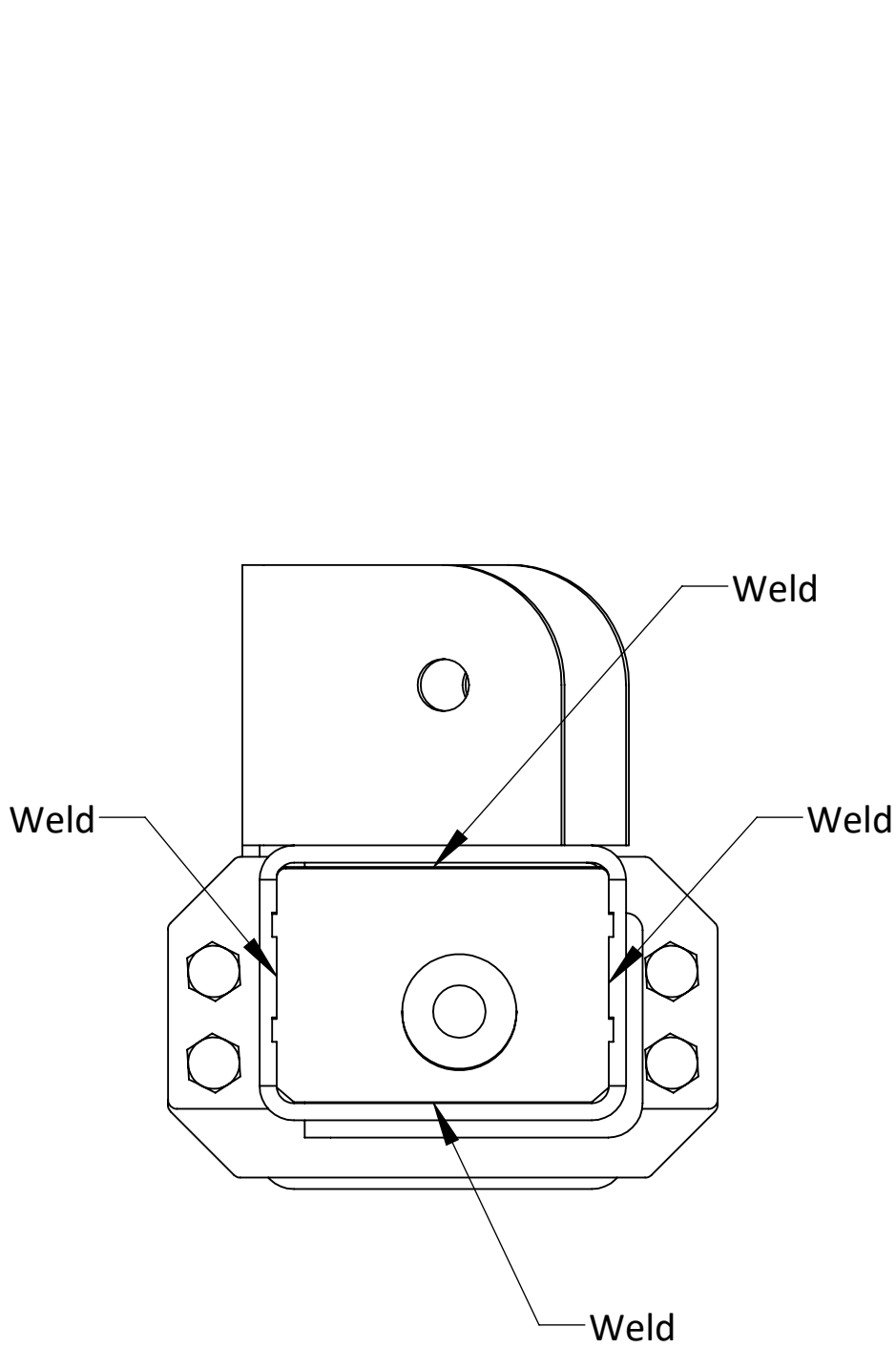
Step 9: Weld both sides along the front, back & end.

Step 10: Bolt transmission mount in.

Step 11: Weld end caps on with access holes aligned.

Step 12: Paint cross member.

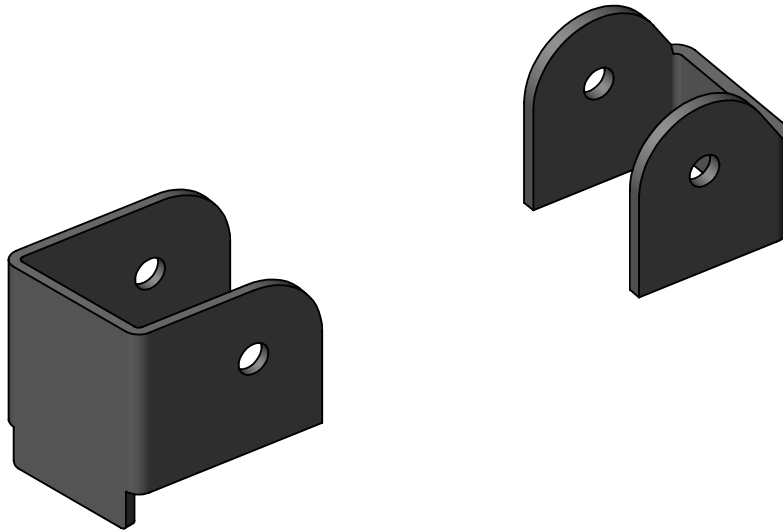




CLAYTON OFF ROAD

COR-1130300

JEEP CHEROKEE & GRAND CHEROKEE 3-LINK MOUNT KIT (1984-2001 XJ,ZJ)



NOTES: This product may require general welding, fabrication and automotive mechanic skills. Welding should only be done by a competent welder. Clayton Off Road implies no guarantees or warranties and is not liable for improper installation. Some grinding and fitment may be required when installing this product. Every vehicle varies slightly and some fabrication may be required. For more information please visit our website.

2104313 Jeep Grand Cherokee Front 3 Piece Cross Member (1993-1995 ZJ)

Step 1: Locate 3-link cross member bracket as shown below.

Step 2: Check fit of control arm in bracket.

Step 3: Tack bracket in place.

Step 4: Weld bracket in place on 3 sides.

Step 5: Install cross member refer to instructions for part number 2104313.

Step 6: Locate 3-link axle bracket on optional part numbers 1100106 bridge , 1130100, 1130101 trusses or axle housing.

Step 7: Check fit of control arm in bracket.

Step 8: Tack bracket in place.

Step 9: Weld bracket in place on 3 sides.

