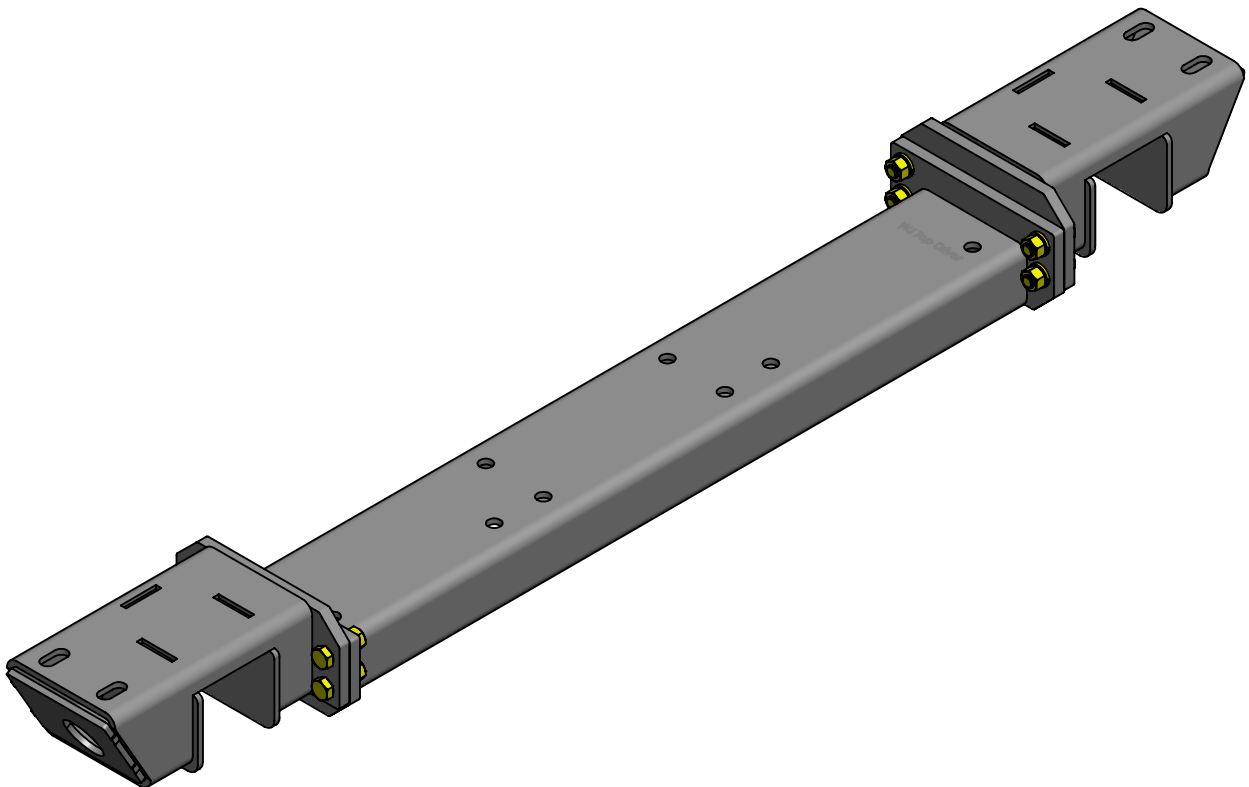


**CLAYTON OFF ROAD
COR-2106110
JEEP GRAND CHEROKEE FRONT 3 PIECE CROSS MEMBER (1999-2004 WJ)**



NOTES: This product requires general welding, fabrication and automotive mechanic skills. Welding should only be done by a competent welder. Clayton Off Road implies no guarantees or warranties and is not liable for improper installation. Some grinding and fitment may be required when installing this product. Every vehicle varies slightly and some fabrication may be required. For more information please visit our web site.

Refer to drawing views.

- Step 1: Assembly cross member as shown.
- Step 2: Support vehicle drive line.
- Step 3: Remove old cross member.
- Step 4: Trim flange off from rocker panel.
- Step 5: Clean frame for welding.
- Step 6: Lightly bolt new cross member into place.
- Step 7: Square and center cross member.
- Step 8: Tighten bolts.
- Step 9: Weld both sides along the front, back & end.
- Step 10: Bolt transmission mount with new hardware.
- Step 11: Weld end caps on with access holes aligned.
- Step 12: Paint cross member.

