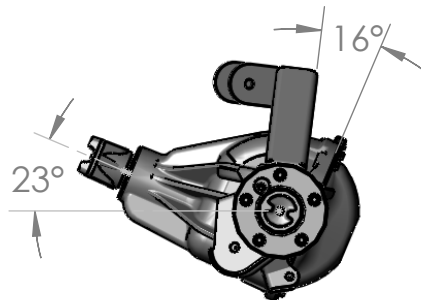
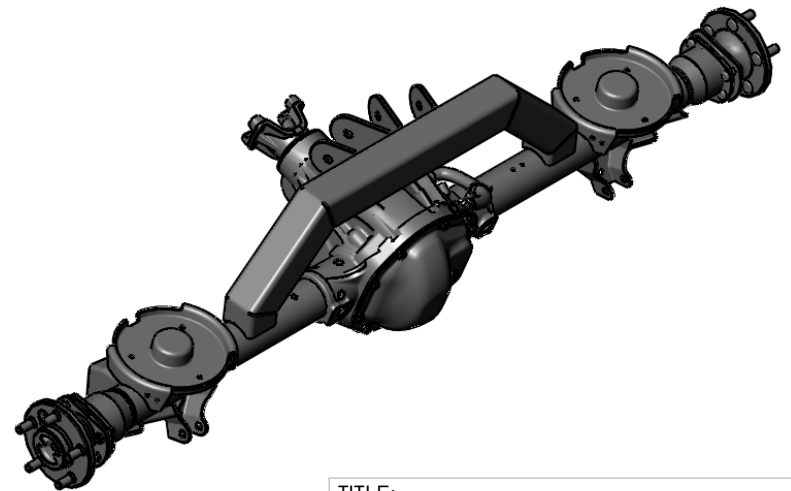
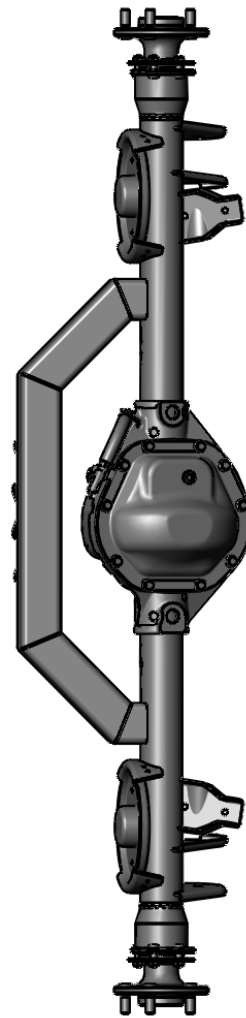
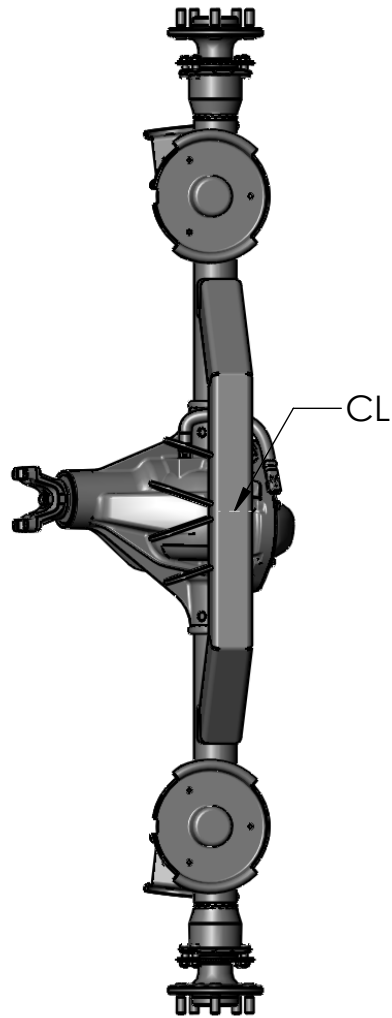


Standard setup 4" - 6" of lift.  
 SYE kit.  
 High clearance skid plate.  
 Approx. 23 degree pinion angle.  
 Truss angle approx. 16 degrees low pinion.  
 Truss angle approx. 11 degrees high pinion.



TITLE:		
TJ Rear Truss Location Drawing		
SIZE	DWG. NO.	REV
<b>A</b>	Dana 44 Rear TJ 4 Link	A
SCALE: 1:12	WEIGHT:	SHEET 1 OF 1